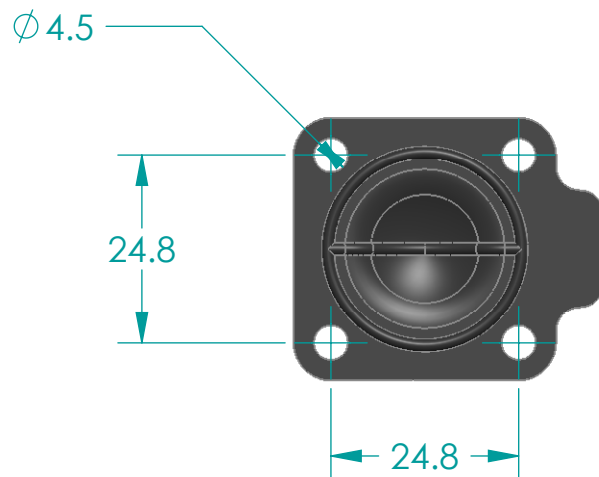
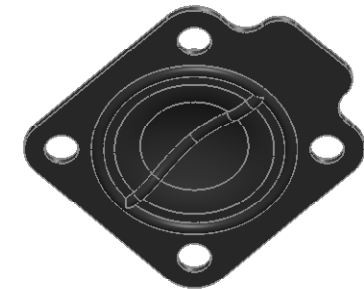
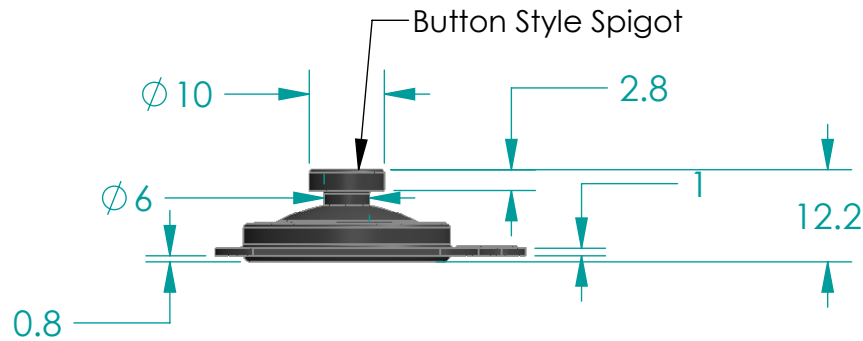
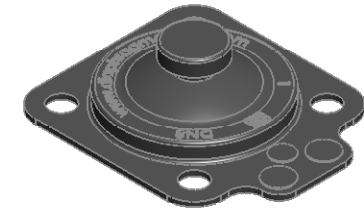
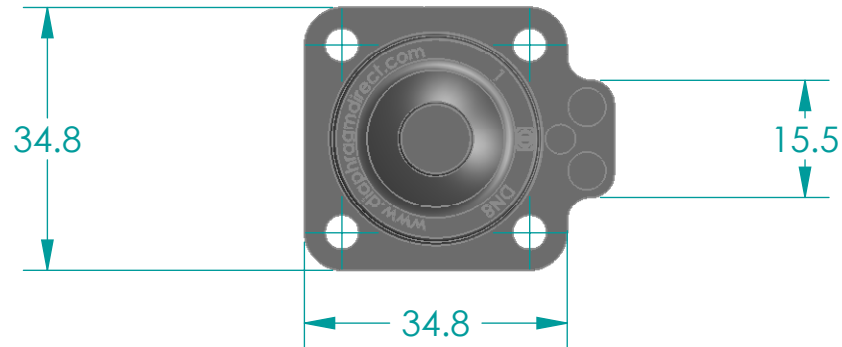


Revision History


| Rev | Description | Date | Approved |
|-----|-----------------|----------|----------|
| A | Initial Release | 07/01/24 | JB |



Replacement Diaphragm for:-

OEM PART = 677663 or 688421

USED ON DN8 Diaphragm Valve

| | | | | | |
|--|-----------|----------|---|-----------------------|--------------|
| | Name | Date |  DIAPHRAGM[®] DIRECT | | |
| Drawn | M.Mc Keon | 15/06/24 | | | |
| Checked | | | TITLE DD03-TE7 | | |
| Material - EPDM Complies with CFR 177.2600 and Conforms to USP Class VI Biological Reactivity Tests Section #87 and #88 | | | Size A | FOOT PRINT DIMENSIONS | Rev A |
| | | | File Name: DD03-TE7 | | |
| | | | SCALE: 1:1 | | Sheet 1 of 1 |

Disclaimer - Diaphragm Direct® does not manufacture, represent, nor sell OEM valves or diaphragms manufactured by any other company. Diaphragm Direct® brand diaphragms are not sponsored by any other manufacturers. Any name, model, part number, brand, image, material or referral is for descriptive purposes only. Diaphragm Direct® brand replacement diaphragms are guaranteed to fit OEM equipment and meet or exceed OEM specifications. Diaphragm Direct® brand replacement diaphragms are covered by the standard Diaphragm Direct® limited product warranty.